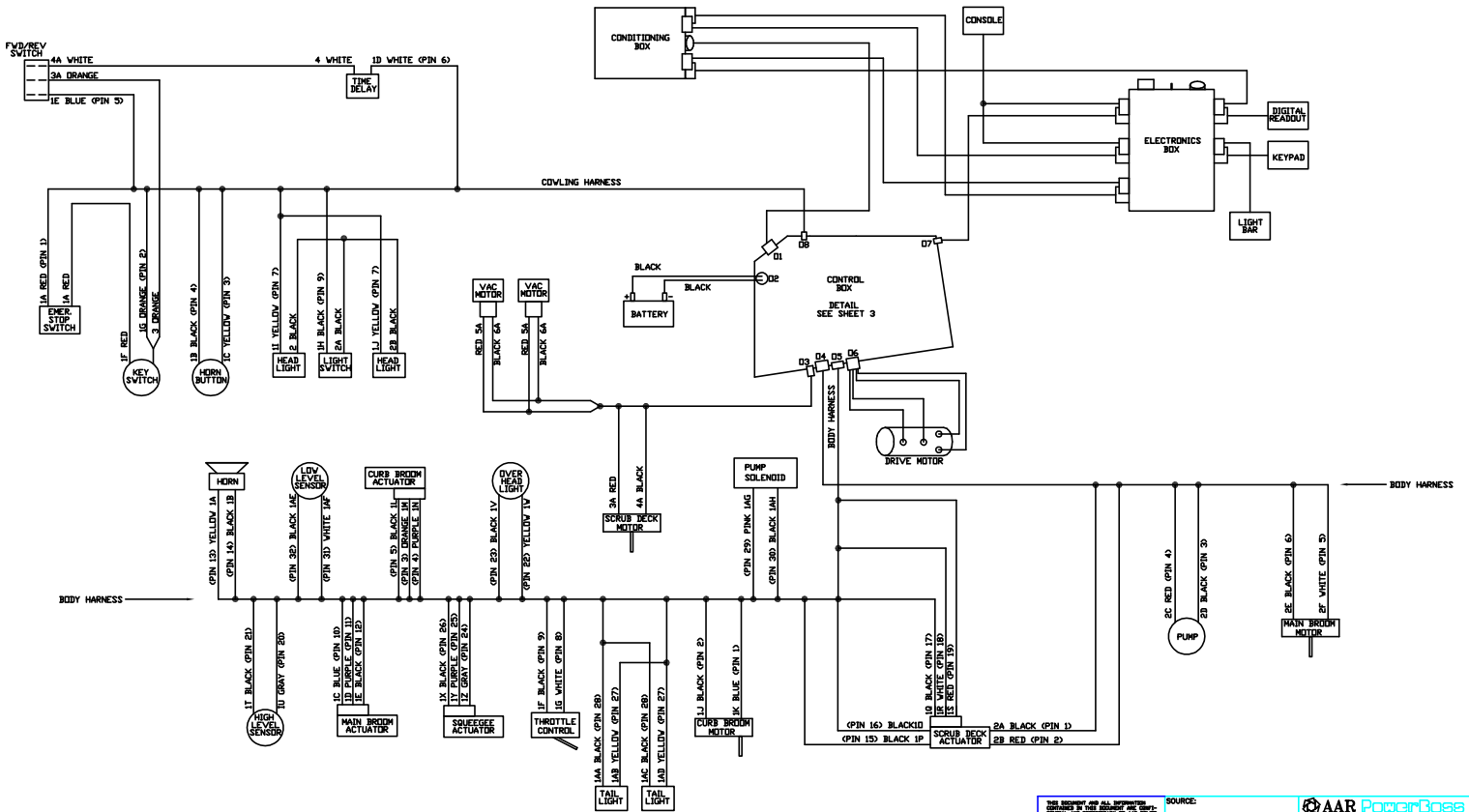


REV	ENH #	DATE	DESCRIPTION OF CHANGE-IS (WAS)	BY:
1	3218	7/31/96	RELEASED FOR PRODUCTION	DO
2	3565	12/17/96	SEE SHEET 3	PH

323906 B



<small>THIS DRAWING IS THE PROPERTY OF AAR PowerBase. IT IS TO BE USED ONLY FOR THE PROJECT AND VEHICLE IDENTIFIED HEREON. IT IS NOT TO BE REPRODUCED, COPIED, OR TRANSMITTED IN ANY FORM OR BY ANY MEANS, ELECTRONIC OR MECHANICAL, INCLUDING PHOTOCOPYING, RECORDING, OR BY ANY INFORMATION STORAGE AND RETRIEVAL SYSTEM. WITHOUT THE WRITTEN PERMISSION OF AAR PowerBase, ANY REPRODUCTION OR USE OF THIS DRAWING IS PROHIBITED. AAR PowerBase, 28315 Aberdeen, North Carolina. PHONE (910) 944-5105 FAX (910) 944-7009</small>	<small>SOURCE:</small> P/N: MATL: FINISH: UNSPECIFIED TOLERANCES: UNLESS OTHERWISE SPECIFIED: DEC. ENG. 07/31/96 ENG. REL: 5E18 07/31/96	<small>AAR PowerBase</small> 28315 PHONE (910) 944-5105 FAX (910) 944-7009 DATE: 7/31/96 CAD: D'QUINN DESCRIPTION: DIAGRAM-TC/1 WIRING PART NO. 323906 REV LEV B SH1 NO. 2 OF 3
--	---	--